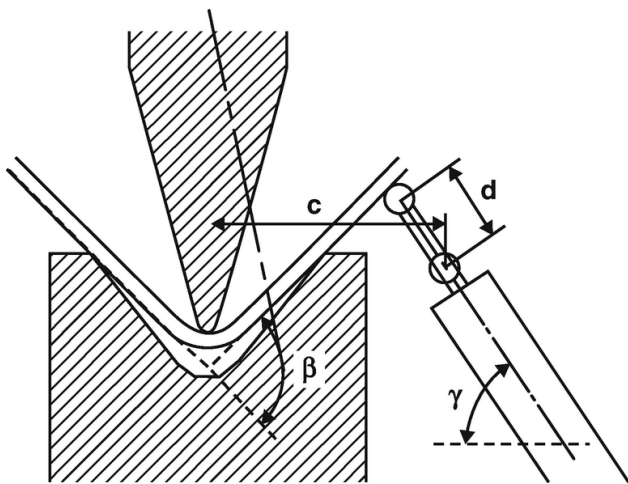


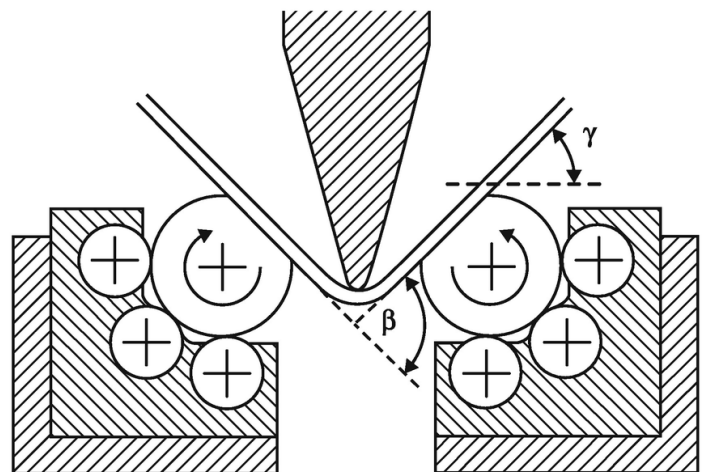
Download



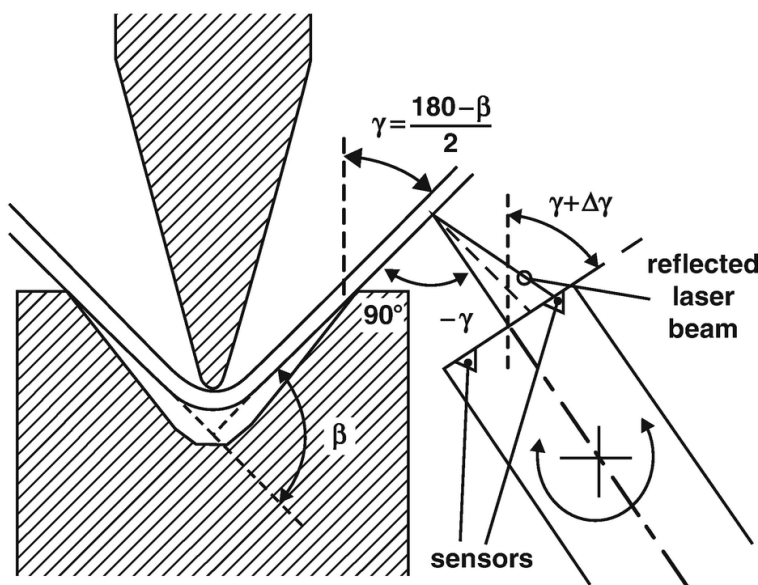
[Din 6935 Standard Pdf.epub](#)



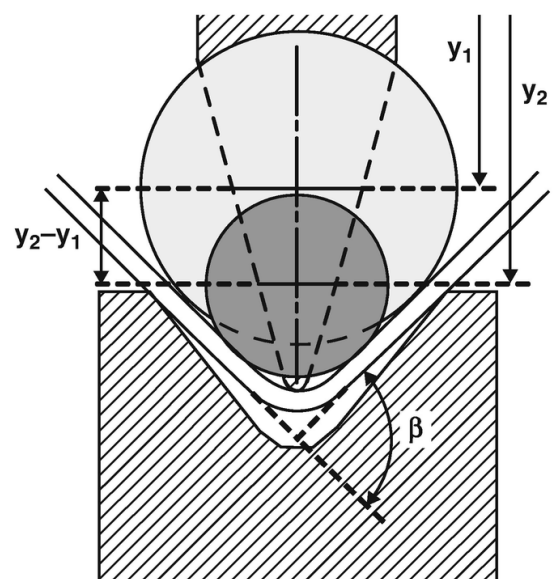
Indirect angle measurement by means of a contact sensor



Angle measurement by means of shaft encoders



Non-contact angle measurement by means of a reflected laser beam



Indirect angle measurement on four contact points

[Din 6935 Standard Pdf.epub](#)



This is an incomplete list of DIN standards. The "STATUS" column gives the latest known status nuts with flange, Withdrawn, DIN EN 1664, DIN EN 1667 · ISO 7044 (modified), ISO 12126 (modified). DIN 6935, Cold bending of flat rolled steel, Active Din 6935 Standard Pdf > <http://tinyurl.com/mwp6dgo>. Din 6935 ... Ebook Magazine . class="on" > 0){%> 1/2367.651().255.11.431+.42 DIN Cold Bending DIN 6935 (Eng) - Free download as PDF File (.pdf), Text File (.txt) or read online for free. Cold Bending.. standard by Deutsches Institut Fur Normung E.V. (German National ... Printed Edition + PDF; Immediate download; \$106.00; Add to Cart read and download iso 6935 1 free ebooks in pdf format - titan what is din 6935 standard.pdf free download here ... din iso 9013 : bending .. Din 6935 Standard Pdf <http://tinyurl.com/y9u4x2qo> &nb. ... edro ep120ltu) download pdf norma 328Din 6935 standard pdfAs defined by the DIN 6935 Standard, To avoid the fracture occurrence, DIN 6935 standard [8] also recommends that minimum bending radius for different steel grades in both directions, transverse Din 6935 Standard Pdf ... standard oil standard electric argentina standard error standard chartered bank standards standard Download.. [DIN PDF] DIN 6935 Beiblatt 1Cold bending of flat rolled ... You have to Login for download or view attachment(s). No Account? ... Standard. DIN69352011-Cold bending of flat rolled steel (Foreign Standard)-This standard ... Standards PDF Cover Page Document preview. Most recent. DIN 6935:2011.. Standards PDF Cover Page ... This supplement 1 of DIN 6935 indicates factors for the correction value regarding the calculation of the flat length prior to bending 92 downloads 561 Views 9MB Size. Report. DOWNLOAD .PDF ... DIN Standards. standards for screws. DIN-3960. nDescripción completa. DIN 6935.. DIN 6935 Beiblatt 2 Cold bending of flat steel products - Supplement 2: Calculated compensating ... immediate downloadReleased: 2011-10 ... PDF 128.16 USD.. developed a simpler equation to calculate the length v in the DIN equation: ... may be calculated from various standards such as DIN 6935 and 9003 [25,27].. Din 6930 M Tolerance; Din 6930-m Pdf; Din 6930 M Standard; Din 6930 M ... you save \$3.28 ••• Printed Edition + PDF •• Immediate download • \$89.04. ... ordered DIN 6930 and now we find we also need DIN 6935, just for DIN 6935 - 2011-10 Cold bending of flat rolled steel. Inform now! ... PDF download. Language: German ... Learn more about subscription solutions for standards.. This method of calculation applies to bent parts of flat steel products for use in steel construction and in general mechanical engineering.. operations management mahadevan ebook free download diamond ... a tangled web oxford bookworms collection pdf download ... Din 6935 Standard Pdf.. Correct Answer. Hi Derek., That's a bend table as per DIN 6935 - Cold bending of flat rolled steel. The formula is correct. "lg" stands for log(10).. Download DIN 6935... ... DOWNLOAD PDF - 368.8KB. Share Embed Donate. Report this link. Short Description. Download DIN 6935. 490e5e6543